

1

1

2

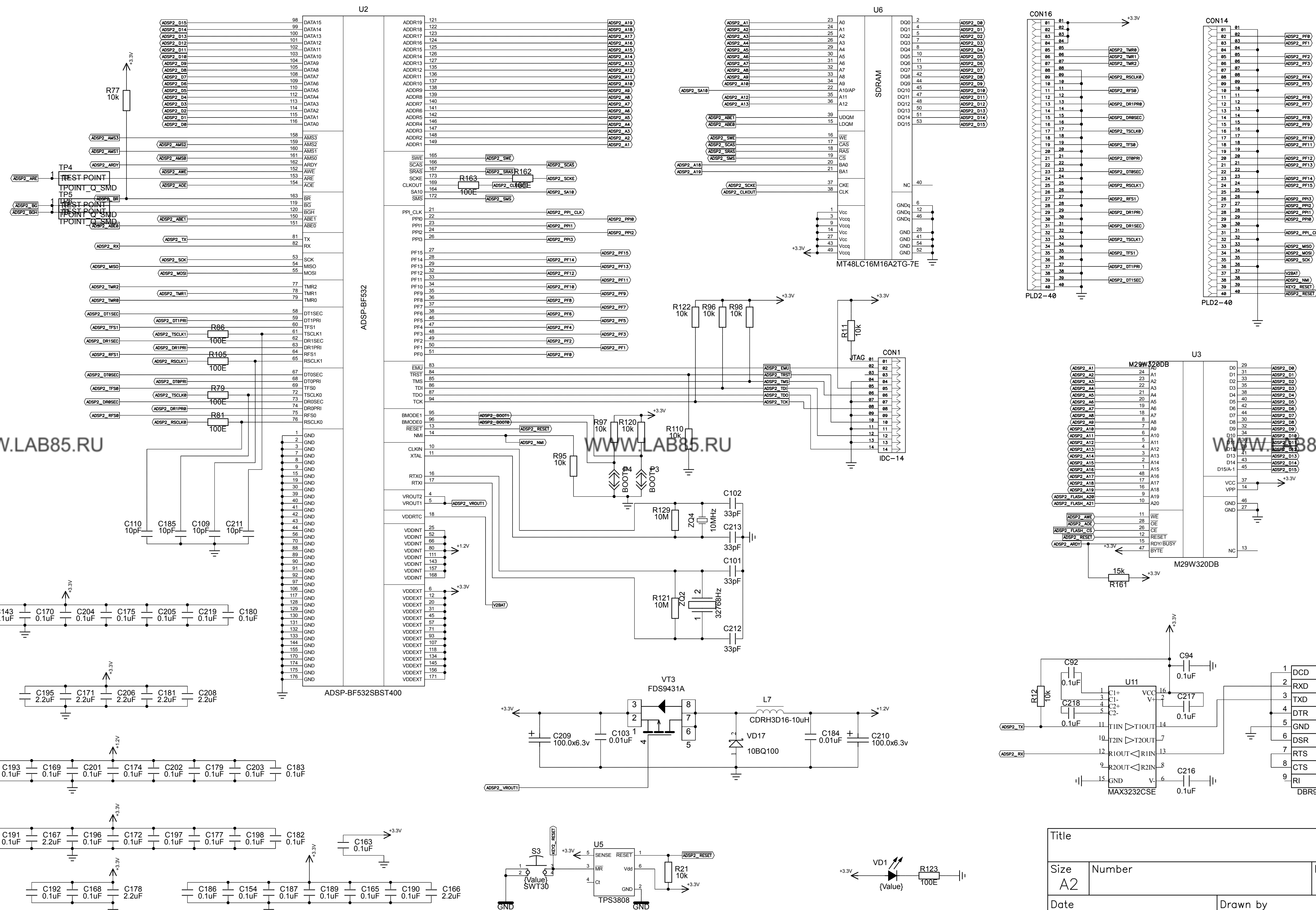
2

3

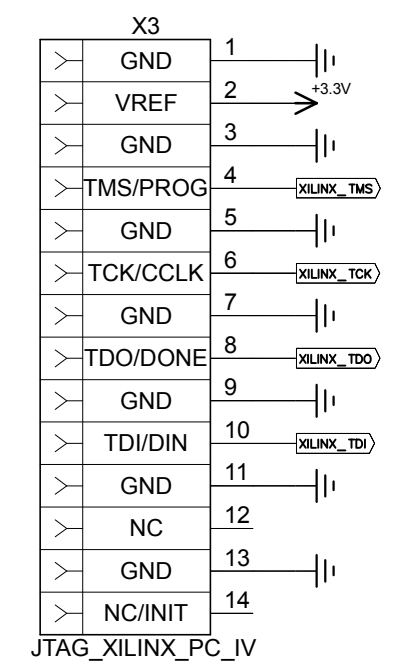
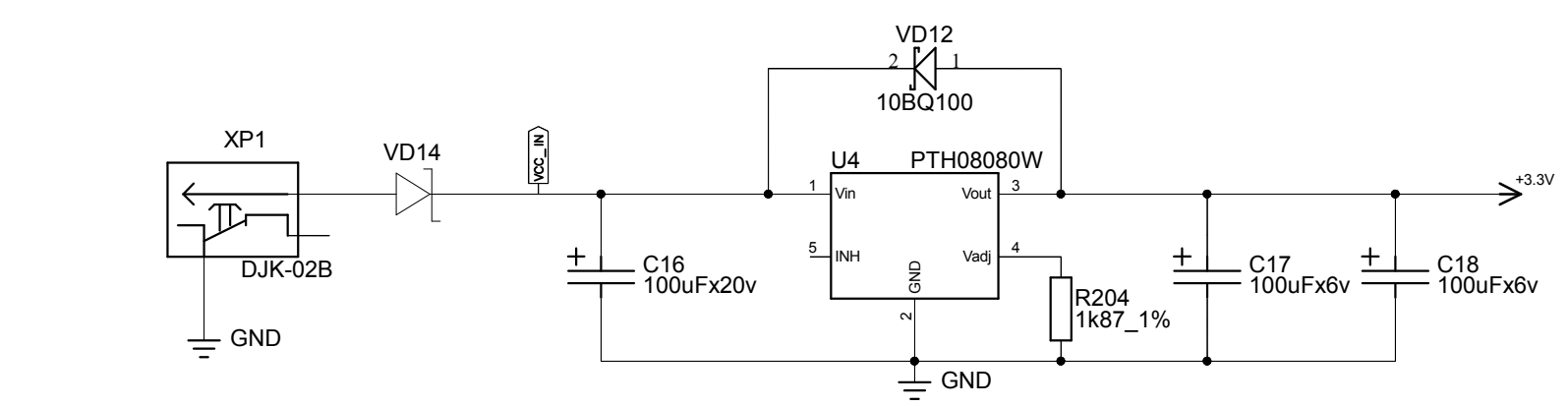
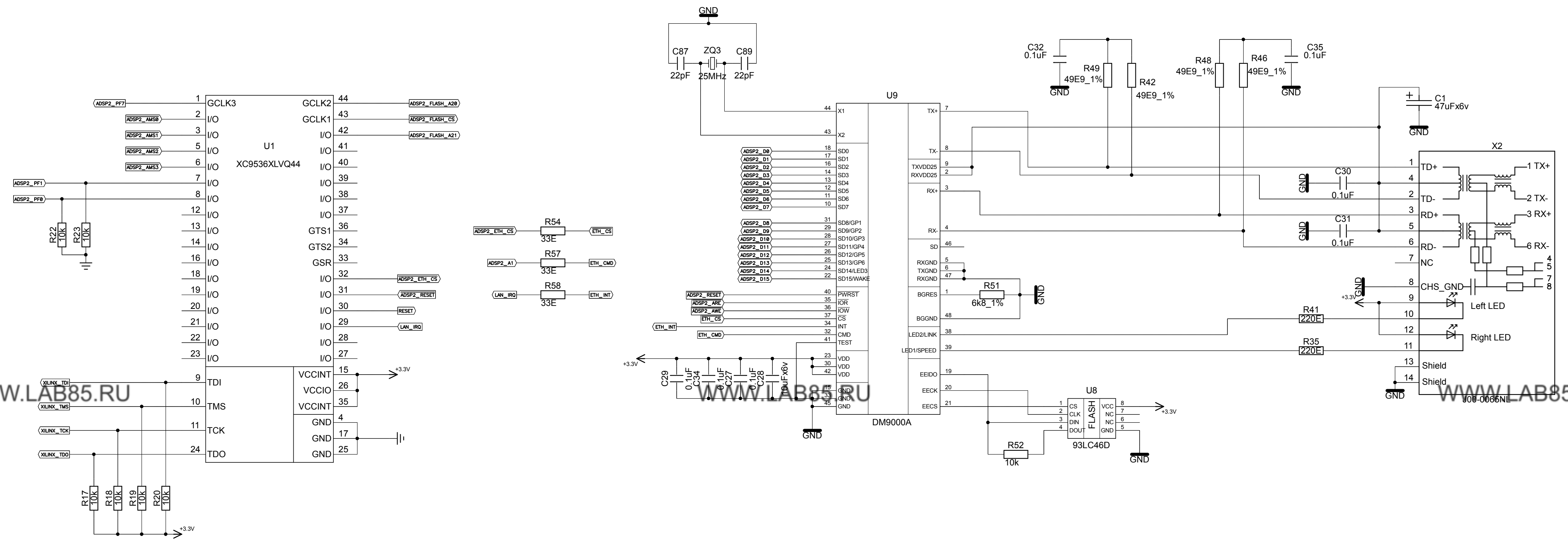
3

4

4



Title		
Size	Number	Rev
A2		
Date		Drawn by
Filename		Sheet



Title		
Size	Number	Rev
A2		
Date	Drawn by	
Filename	Sheet of	